



air Router™

802.11n Wireless Router

Models: AR, AR-HP

Fast 150 Mbps Wireless Speed

Long Range Up to 200+ Meters

Powered by Ubiquiti's airOS™ Technology

Wireless Router or Bridge Modes

airRouter™

Introducing the airRouter featuring Ubiquiti's Powerful airOS™

The airRouter 802.11n Wireless Router is an affordable multi-purpose router that can act as a standard SOHO (Small Office/Home Office) router or operate in two other network modes: *Bridge* or *Router* mode.

The airRouter also offers multiple wireless modes including *Station* mode to extend your wireless network and *Access Point* mode to function as the center of your wireless network.

The airRouter offers *Channel Shifting*, a proprietary Ubiquiti feature that allows you to offset your channels from standard 802.11n channels. Channel Shifting improves your network's privacy and security by hiding your network from intruders.



airRouter (AR)

The *airRouter* is an affordable routing solution providing excellent coverage in environments with moderate signal interference. Capable of up to 150 Mbps speed and 100+ m wireless links.

Included:

- Power Adapter
- Ethernet Cable
- airOS



airRouter HP (AR-HP)

The *airRouter HP* is a high-performance router for environments requiring greater coverage and superior wireless performance. Capable of up to 150 Mbps speed and 200+ m wireless links.

Included:

- Power over Ethernet Adapter
- Ethernet Cable
- High Gain External Antenna
- airOS



Features

airOS airRouter is powered by the latest version of Ubiquiti's airOS. Built upon the market leading intuitive user-interface, it's loaded with advanced wireless configurations and routing functionality.

Three Network Modes By default, the airRouter operates as a SOHO Router, for fast and easy deployment. For advanced routing control, the airRouter may be set to operate as a Router, or as a Wireless Bridge to expand your wireless network.

Five Wireless Modes Integrate the airRouter into your network as a Station, Station WDS, Access Point, Access Point WDS, or AP Repeater.

Channel Shifting Improve your network's privacy and performance with Ubiquiti's proprietary feature. Channel Shifting allows your wireless network to operate on private wireless channels between Ubiquiti devices.

DHCP Relay Relays DHCP messages between DHCP clients and DHCP servers on different IP networks.

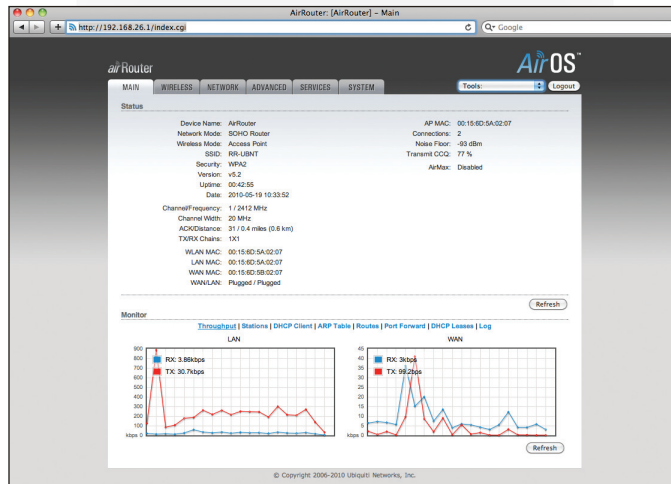
airMAX™ Support Gain higher performance with other airMAX compatible devices.

VLAN Support Router mode supports multiple Virtual Local Area Network scenarios.

ACL Management Enhanced Access Control List management.

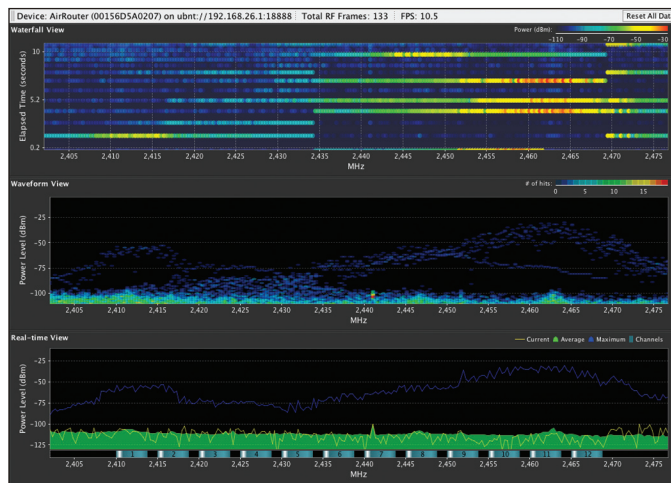
UPnP Support Universal Plug and Play server support for advanced media sharing and increased device compatibility.

airView™ Utility Visually analyze your environment's signal statistics to optimize your wireless settings.



airOS - Browser-Based Configuration

Conveniently configure and manage the airRouter from any Web browser.

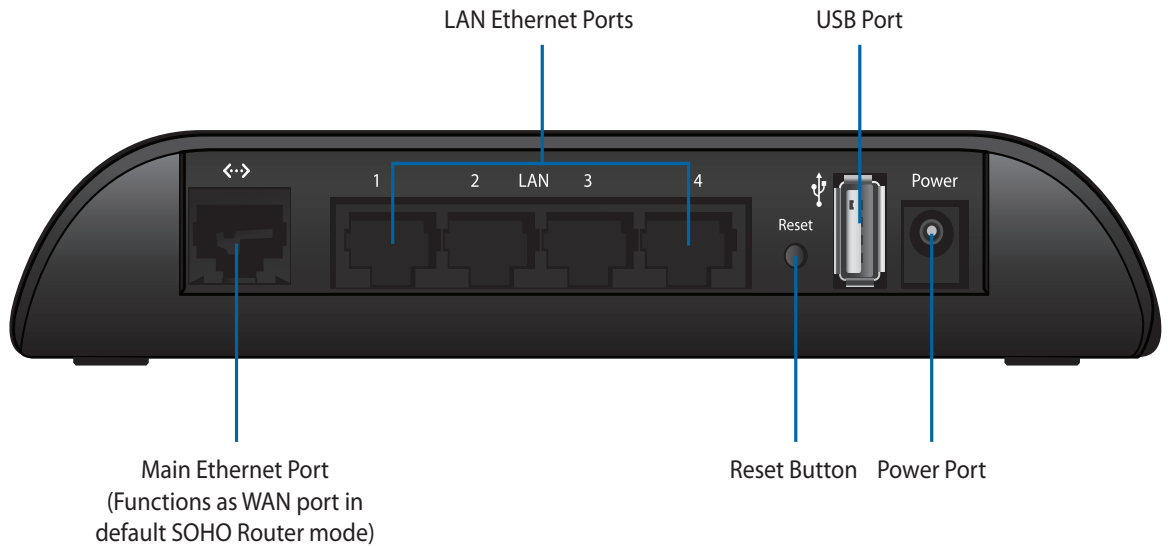


Graphical Signal Analyzer

airView provides real-time wireless signal statistics.

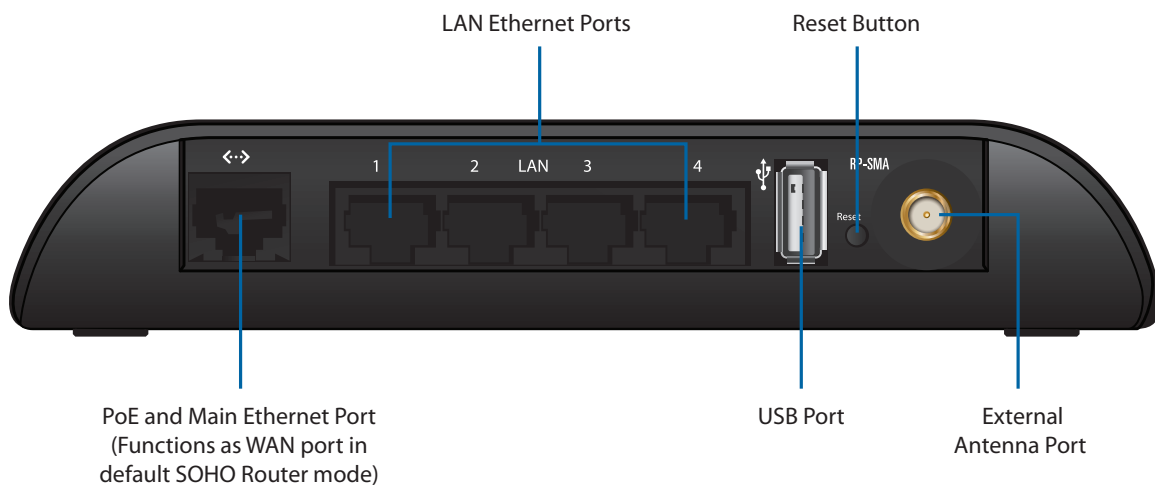
Specifications

Model: AR	
Dimensions	162 x 132 x 30 mm
Weight	221 g
Ports	(5) 10/100 Ethernet Ports 1 USB Port 1 Power Port
Buttons	1 Reset Button
LEDs	4 LAN 1 Main (WAN by default) 1 Internet 1 WLAN (Wireless LAN) 1 Power
Software	airOS
Wireless Standards	802.11 b/g/n
Wireless Security	WEP/WPA/WPA2
Frequency Band	2.4 GHz
Antenna	Integrated
Wireless Speed	Up to 150 Mbps
Wireless Range	Up to 100+ m
Output Power	19 dBm
Power Supply	5V, 2A Adapter (included)
Operating Temperature	-20 to 60° C
Certifications	CE, FCC, IC



Specifications

Model: AR-HP	
Dimensions	162 x 132 x 30 mm
Weight	318 g
Ports	(5) 10/100 Ethernet Ports 1 USB Port 1 RP-SMA Antenna Port
Buttons	1 Reset Button
LEDs	4 LAN 1 Main (WAN by default) 1 Internet 1 WLAN (Wireless LAN) 1 Power
Software	airOS
Wireless Standards	802.11 b/g/n
Wireless Security	WEP/WPA/WPA2
Frequency Band	2.4 GHz
Antenna	External High Gain
Wireless Speed	Up to 150 Mbps
Wireless Range	Up to 200+ m
Output Power	26 dBm
Power	5V, 2A PoE Adapter (included) 24V, 2A PoE Adapter (Argentina only)
Power Supply	Passive Power over Ethernet (pairs 4, 5+; 7, 8 return)
Operating Temperature	-20 to 60° C
Certifications	CE, FCC, IC



TOUGH Cable

OUTDOOR CARRIER CLASS SHIELDED

Protect your networks from the most brutal environments with Ubiquiti's industrial-grade shielded Ethernet cable, TOUGH Cable.

Increase Performance Dramatically improve your Ethernet link states, speeds, and overall performance with Ubiquiti TOUGH Cables.

Extreme Weatherproof TOUGH Cables have been built to perform even in the harshest weather and environments.

ESD Damage Protection Protect your networks from devastating electrostatic discharge (ESD) attacks.

Extended Cable Support TOUGH Cables have been developed to have increased power handling performance for extended cable run lengths.

Bulletproof your networks

TOUGH Cable is currently available in two versions: Level 1 Shielding Protection and Level 2 Shielding Protection.

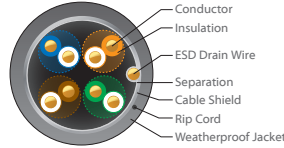
Level 1 is a Category 5e outdoor carrier-class shielded cable.

Level 2 is a Category 5e outdoor carrier-class shielded cable that features an Anti-Crosstalk Divider and additional shielding. It is rated to provide optimal performance on Gigabit Ethernet networks.

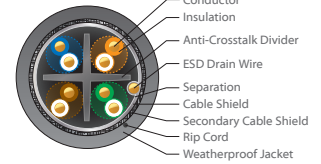
Additional Information:

- 24 AWG copper conductor pairs
- 26 AWG integrated ESD drain wire to prevent ESD attacks & damage
- PE outdoor-rated weatherproof jacket
- Multi-layered shielding
- Available in 1000 ft (304.8 m) length

LEVEL 1 SHIELDING PROTECTION



LEVEL 2 SHIELDING PROTECTION

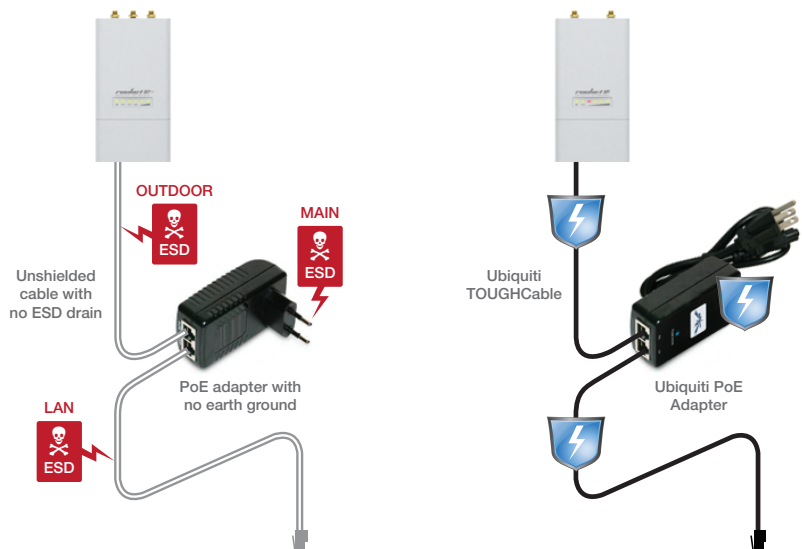


TOUGH Cable Connectors

Specifically designed for use with Ubiquiti TOUGH Cables and available in 100 pc. bags, TOUGH Cable Connectors protect against ESD attacks and Ethernet hardware damage while allowing rapid field deployment without soldering.

ESD attacks are overwhelmingly the leading cause for device failures. The diagram below illustrates the areas vulnerable to ESD attacks in a defenseless network.

Use a grounded Ubiquiti Power over Ethernet (PoE) adapter along with Ubiquiti TOUGH Cable and TOUGH Cable Connectors to effectively protect against ESD attacks.





TERMS OF USE: The Ubiquiti radio device must be professionally installed. Shielded Ethernet cable and earth grounding must be used as conditions of product warranty. It is the installer's responsibility to follow local country regulations including operation within legal frequency channels, output power, and Dynamic Frequency Selection (DFS) requirements.

For further information, please visit www.ubnt.com.

All specifications in this document are subject to change without notice.

© 2011 Ubiquiti Networks, Inc. All rights reserved.

PH120911

 www.ubnt.com